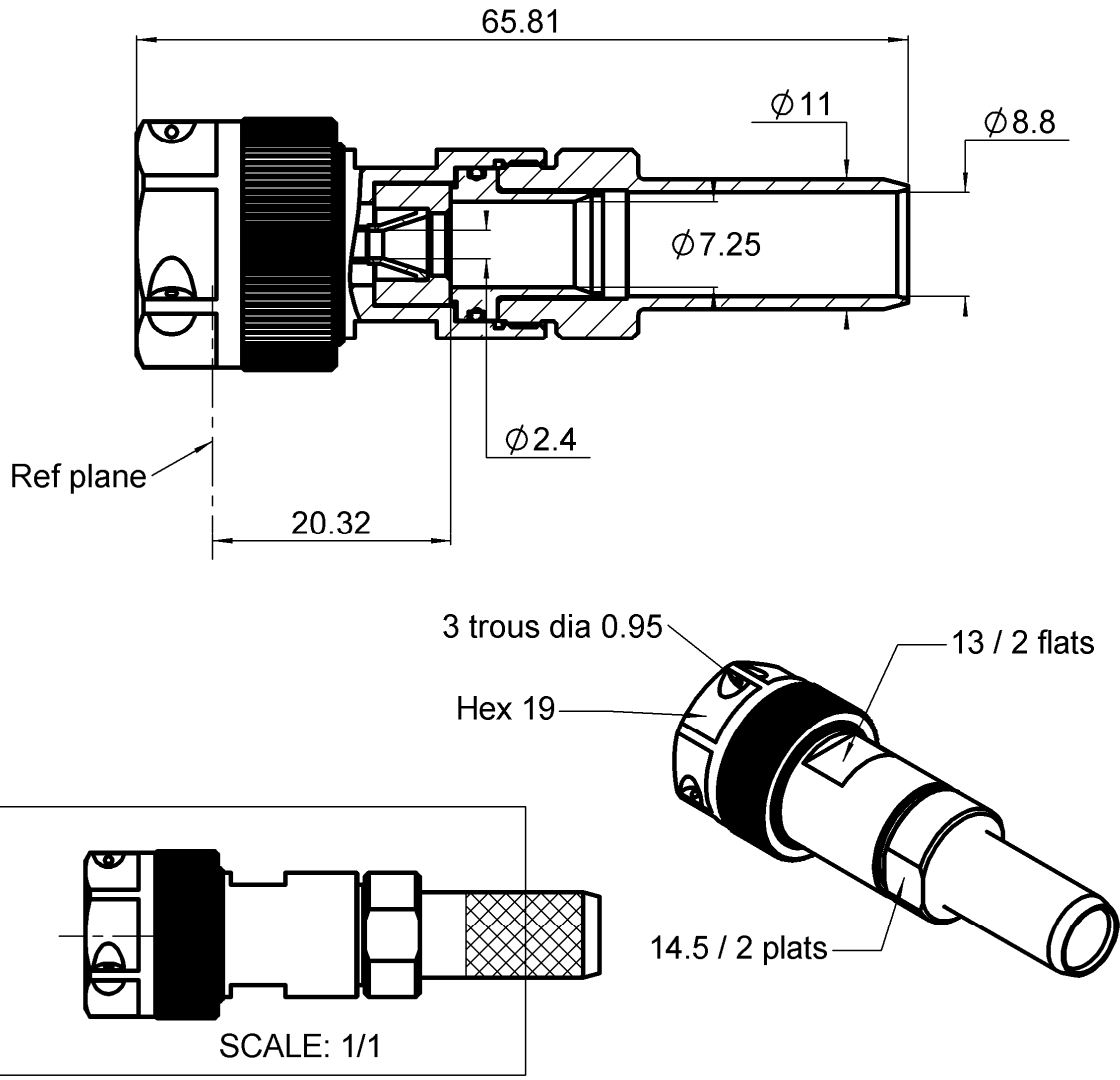


STRAIGHT PLUG SOLDER TYPE

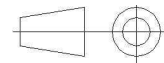
R163.068.141

CABLE SHF 8M

Series : N-18



All dimensions are in mm.



COMPONENTS	MATERIALS	PLATING (µm)
BODY	-	PASSIVATION
CENTER CONTACT	BRASS	GOLD 1.3 OVER NICKEL 2
OUTER CONTACT	-	-
INSULATOR	PEEK	-
GASKET	FLUORO SILICON RUBBER	GOLD 0.5 OVER NICKEL 2
OTHERS PARTS	BRASS	-
-	-	-
-	-	-

Issue : 0935 A

In the effort to improve our products, we reserve the right to make changes judged to be necessary.



STRAIGHT PLUG SOLDER TYPE

R163.068.141

CABLE SHF 8M

Series : N-18

PACKAGING

Standard	Unit	Other
50	'W' option	Contact us

SPECIFICATION

ELECTRICAL CHARACTERISTICS

Impedance	50	Ω
Frequency	0-18	GHz
VSWR	1.14* + 0,0000	x F(GHz) Maxi
Insertion loss	0.1	\sqrt{F} (GHz) dB Maxi
RF leakage	- (90)	- F(GHz)) dB Maxi
Voltage rating	350	Veff Maxi
Dielectric withstanding voltage	2500	Veff mini
Insulation resistance	5000	M Ω mini

CABLE ASSEMBLY

Stripping	a	b	c	d	e	f
mm	11,0	0,00	0,00	0,00	0,00	0,00

Assembly instruction :

Recommended cable(s)
SHF8M

Characteristics indicated on this data sheet are those that can be achieved with the highest performance cable. Intrinsic limitations of the cable may diminish the performance of the assembly

Cable retention

- pull off **360** N mini
- torque **NA** N.cm

MECHANICAL CHARACTERISTICS

Center contact retention		
Axial force – Mating end	360	N mini
Axial force – Opposite end	360	N mini
Torque	NA	N.cm mini

TOOLING

Part Number	Description	Hexagon
.	.	.

Recommended torque		
Mating	400	N.cm
Panel nut	NA	N.cm
Clamp nut	170	N.cm
A/F clamp nut	14,5000	mm

OTHER CHARACTERISTICS

* 1.10 de DC à 12.4 GHz

Mating life	5000	Cycles mini
Weight	59,4200	g

ENVIRONMENTAL

Operating temperature	-55/+125	$^{\circ}$ C
Hermetic seal	IP67	Atm.cm3/s
Panel leakage	NA	

Issue : 0935 A

In the effort to improve our products, we reserve the right to make changes judged to be necessary.

